

BOILING TANK DRAIN REPLACEMENT KIT

Please read complete instructions before replacing components.

Parts Included

Your replacement kit should include one or more of the following components:

Part #	Qty	Description
100079	1	VALVE,ANGL STP,1/2" FPT-3/8COMP
100152	1	TUBE-DRAIN-B.T-E1,M,14,CT
100153	1	TUBE-DRAIN-B.T.,D8,C8,D10
101085	1	TUBE,IMPURITIES DRAIN,D25
30003	1	SLEEVE,COMPRESSION,3/8"
30002	1	NUT,COMPRESSION,PLTD.BRASS

Tools Required

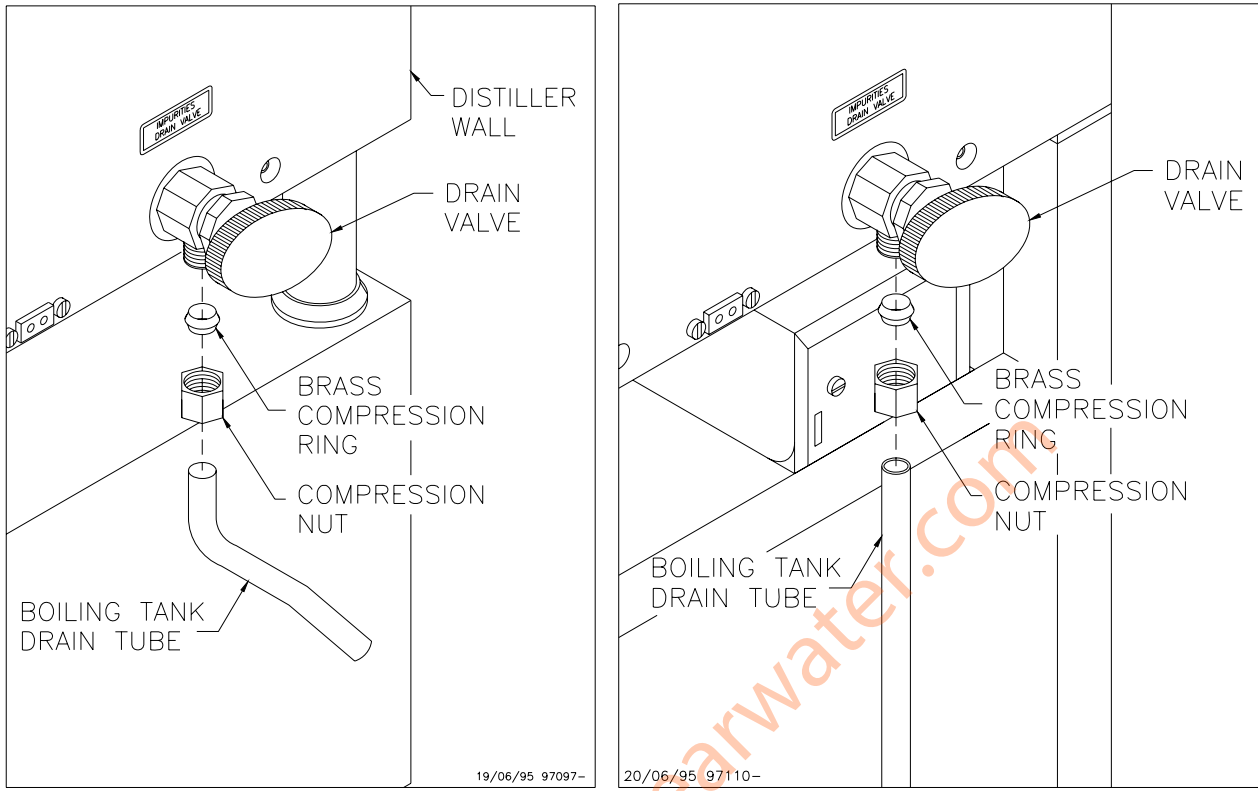
Adjustable (Crescent) Wrench

5/8" Wrench

Assembly Instructions

1. Turn main power switch on distiller off and unplug cord from wall.
2. Drain the boiling tank using the impurities drain valve. **CAUTION: DRAIN VALVE MAY BE VERY HOT.** Allow the distiller to cool for at least 1 hour before proceeding. Even if the drain is plugged, proceed to the next step.
3. Remove the drain tube from the drain valve by using the 5/8" wrench on the compression nut and steadying the valve with your other hand. Apply torque to the nut only; do not twist on the valve. When the nut has been removed, remove drain tube. This may require rocking the tube back and forth to loosen it from the valve. If the drain was plugged, have a bucket ready to collect the boiler water which may escape when the drain tube is removed.
4. Remove the drain valve. Use the crescent wrench on the valve and steady the distiller with your other hand. Again, apply torque to the valve only; do not twist on the distiller. If your distiller was plugged and removing the drain tube did not unplug it, have a bucket ready to collect the boiler water which will escape when the valve is removed.
5. If neither of these actions unplug your drain, attempt to remove any debris plugging the drain hole. Again, have a bucket ready to collect boiler water.
6. Dry the drain fitting and wrap about two layers of teflon tape clockwise (when facing fitting) around the fitting. Screw the valve onto the fitting and tighten until snug and valve points down.
7. Place the nut on the drain tube, small hole first, then slide the compression sleeve over the tube, as shown. Slide the tube as far as it will go into the drain valve and finger tighten the nut. Using a wrench, tighten the nut 1-¼ turns past finger tight. Do not overtighten!

8. Test impurities drain by manually pouring water into the boiler and opening valve. If water drains (it should) close impurities drain valve, plug in and turn on distiller.



26-CT, 26-M, 26-E1, 26-14

26D-8, 26C-8, 42D-10, 42D-25

The distiller should now operate properly. If it does not, we suggest you take your distiller to an authorized service representative.