

# BOILING TANK LID INSTALLATION KIT

Please read complete instructions before replacing components.

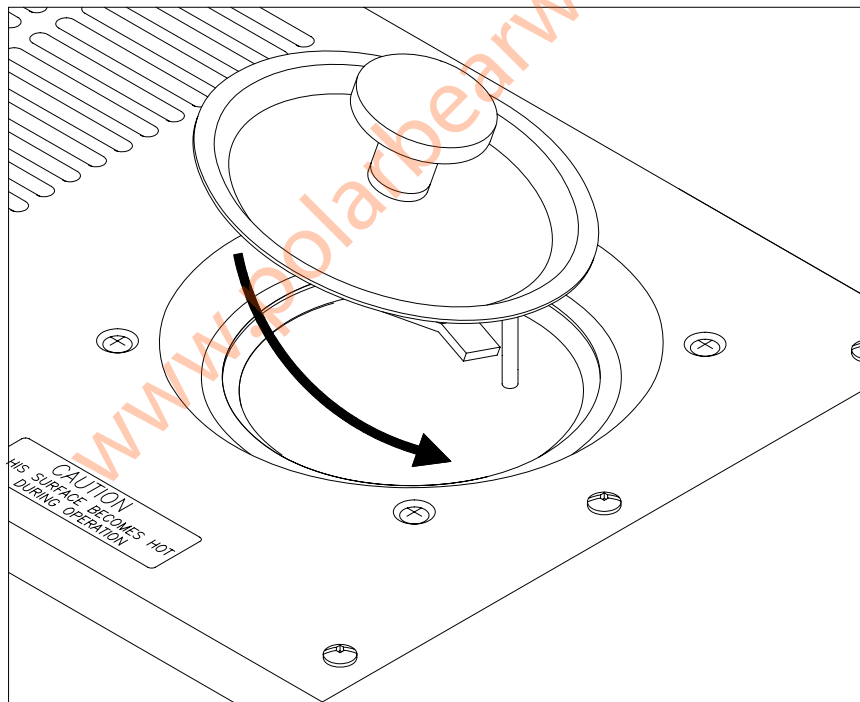
## Parts Included

Your kit will include the following:

Part #	Qty	Description
100287	1	BOILING TANK LID ASSM,PB

## Assembly Instructions

1. Remove the old lid and discard.
2. Remove any protective plastic coating (white or clear blue) from new lid.
3. Loosen the lid knob (turn counter-clockwise). Tip the bar at the bottom.
4. Slip bar under the rim of boiling Tank opening.
5. Center lid knob over the opening and tighten.



11/08/95 97153-

The distiller should now operate properly. If steam is leaking from the lid, we suggest replacing the lid gasket, part# 100068.