

HEATING ELEMENT INSTALLATION KIT

#100792 (26D & 26M), #101249 (42D) #107111 (100L), #102522,102523,102524 (200L)

Please read complete instructions before replacing components.

Parts Included

Part #	Qty	Description
100177	1	HEATING ELEMENT, 1100W, 125V OR
101071	1	HEATING ELEMENT, 1500W, 125V OR
101072	1	HEATING ELEMENT, 1500W, 230V OR
102075		HEATING ELEMENT,2500W,208V OR
102076		HEATING ELEMENT,2500W,220V OR
102077		HEATING ELEMENT,2500W,240V
100063	1	HEATING ELEMENT CLIP WELD ASSE
100065	1	HEATING ELEMENT GASKET, SILICO
15002	1	WASHER, FLAT,S.S.,5/16"X1"
15501	1	HEX NUT, SS, 1/4"-20
15003	4	WASHER, FLAT,S.S.,5/16"X11/16"
15502	4	NUT,HEX,1/4",PLATED

Assembly Tools

7/16" Deep Well Socket w/ Ratchet

7/16" Wrench

Red Robertson Screwdriver

Assembly Instructions

1. Ensure that the correct parts are included in your replacement kit. A 26 model distiller will use a 1100W element, a 42D or 100L distiller will use a 1500W element, and a 200-L will use a 2500W element. If you have a 200-L, ensure the element is the correct voltage.
2. Turn main power switch on distiller off. Drain the boiler tank. CAUTION: DRAIN VALVE MAY BE VERY HOT. Unplug cord from wall plug and wait at least 1 hour for boiling tank to cool.
3. Using the Robertson screwdriver, remove the Distiller front cover.

- Using the 7/16" socket, remove the nuts attaching the lexan reset plate to the boiler tank. The reset switch will hang from the wires without the plate.

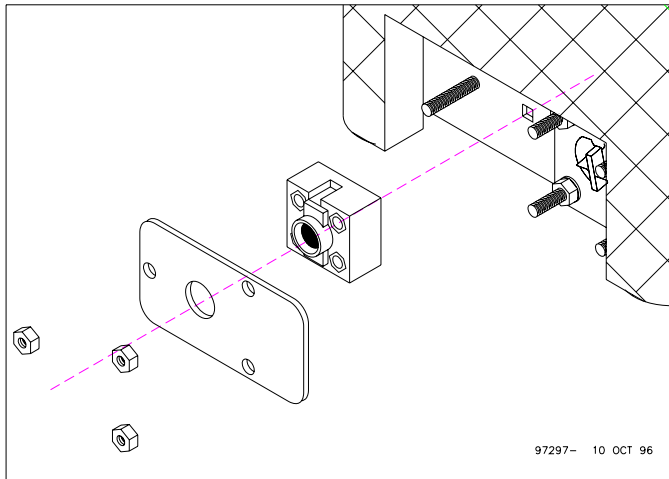


Figure 1

- Remove the boiler tank lid. Referring to Figure 2, reaching inside the boiler and using the 7/16" wrench, remove the nut(4) and washer(5) attaching the heating element clip(3) to the bracket inside the boiler. Move clip out of bracket.
- Using the flat or Robertson screwdriver, loosen the screws holding the spade connections to the heating element. **Note the wires attached to each terminal and write down before removing wires.**

- Remove the nuts(7) and washers(6) attaching the heating element to the copper flashed studs on the boiling tank. Remove the heating element by sliding element out the front of the tank. Remove the old heating element silicon gasket(2). Gently bend the heating element to remove the clip.

- Place new heating element gasket on boiling tank. Place new clip in heating element and insert new heating element into boiling tank. Fasten element with new washers(6) and new plated nuts(7).
- Fasten heating element clip to bracket inside boiling tank with new washer(4) and stainless steel nut(5).
- Reconnect wires to proper heating element terminal.

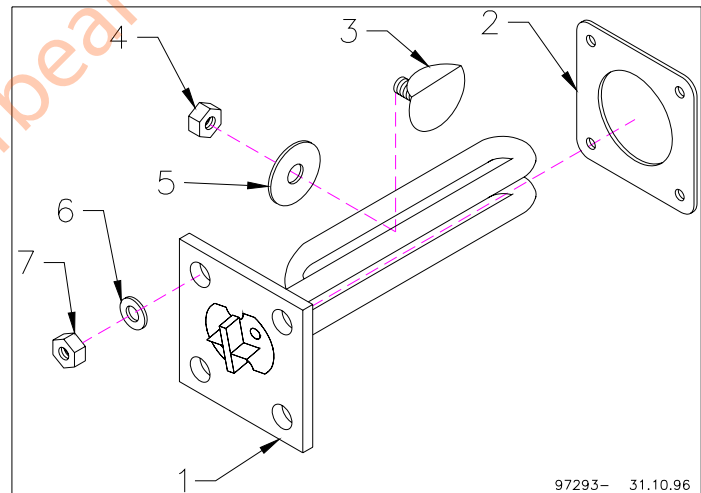


Figure 2

- Place reset switch flush against boiler and reattach lexan plate. Replace front cover and boiling tank lid. Ensure impurities drain valve is closed. Ensure reset switch is reset (push in button).

The distiller should now operate properly. If it does not, confirm that the wires are connected to the proper location by referring to your electrical schematic. If they appear correct, we suggest you take your distiller to an authorized service representative.