

HOLDING TANK VALVE INSTALLATION KIT

Please read complete instructions before replacing components.

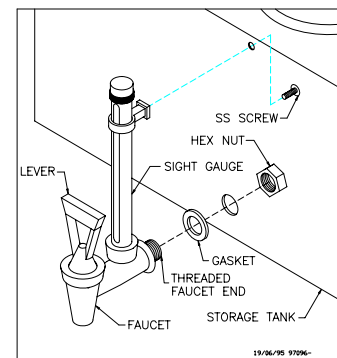
Parts Included

Your kit will include the following:

Part #	Qty	Description
100154	1	DRAIN VALVE ASSEM., 4"
		OR
100155	1	DRAIN VALVE ASSEM., 6"
		OR
100156	1	DRAIN VALVE ASSEM., 11"
		OR
101184	1	DRAIN VALVE ASSEM., 23"
		OR
100221	1	VALVE, DISTILLED DRAIN, C8
80010	1	NUT, JAM, 3/8"-18NPS, POLY
80006	1	WASHER, BLK NEOPREAN, 1"X5/8X1/8

Assembly Instructions

1. Drain the holding tank, storing the distilled water for future use if possible. Disconnect float box cable from distiller head. Lift head off of holding tank and place aside.
2. If used, remove screw from upper sight gauge support, as shown in drawing below.
3. Reaching through the top of the tank, grasp the jam nut and turn the faucet counter-clockwise until the jam nut spins freely. **Do not push on the sight gauge!** Turn off and remove the jam nut as shown below. Remove the faucet assembly and gasket.
4. Place new gasket on threaded faucet end, as shown. Insert threaded section in bottom front of tank.
5. Reaching through top of the tank while holding faucet in position with other hand, install the jam nut on threaded faucet end. On a 42D-25, this may require taping the nut to a box-end wrench to reach deep enough into tank to get nut started. Turn the faucet 1/8 of a turn counter-clockwise and **finger-tighten** the nut on the inside of the tank. On a D-25, if a wrench is needed to tighten the nut, tighten until there is resistance. **Do not overtighten!**
6. Holding the nut, turn the faucet clockwise until upright. **Do not push on the sight gauge as it is fragile!**
7. If required, install screw for sight gauge support as shown.
8. Place Distiller Head on holding tank and reconnect float box cable.



The faucet should now function properly. If it leaks, ensure the jam nut is not under or over-tightened and that the holding tank is not damaged.